

# Cambridgeport

## SUBMITTAL

SUBMITTED TO \_\_\_\_\_  
 COMPANY \_\_\_\_\_  
 JOB NAME \_\_\_\_\_  
 EQUIPMENT \_\_\_\_\_  
 SIGNATURE \_\_\_\_\_  
 DATE \_\_\_\_\_

## SLOPE ROOF CURBS FOR ROOFTOP UNITS

**Bryant:**  
 580J, 558J 24-28  
 581J 20, 24 ; 548J24

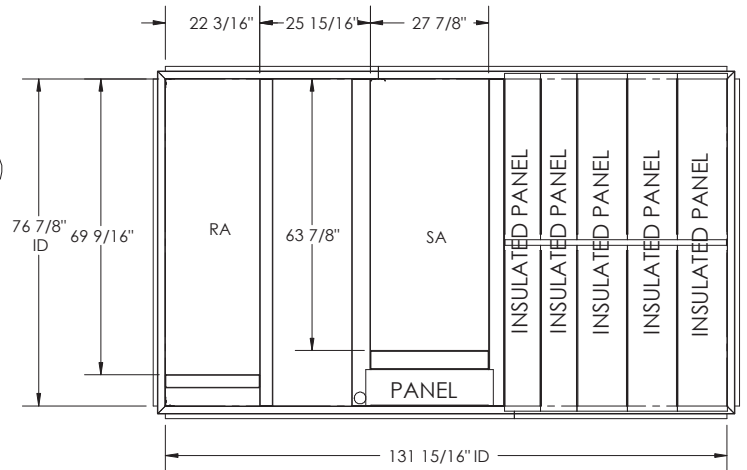
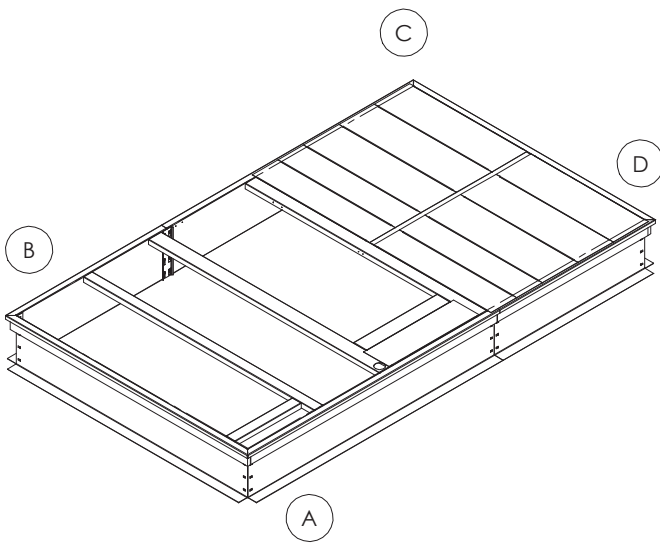
**Carrier:**  
 48/50 TC 24-28  
 45/50 HC 20, 24

## DESCRIPTION

**Sloped up to 2" per Ft.**  
**Sloped 2" up to 3" per Ft.**

## PART#

**1014856**  
**1014857**



## FEATURES

- MITERED TOP CORNERS
- ROOF CURB FABRICATED OF HEAVY GAUGE GALVANIZED STEEL
- FULL PERIMETER WOOD NAILER
- PRE-PUNCHED ASSEMBLY HOLES AND HARDWARE INCLUDED FOR -DUCT SUPPORT INSTALLATION
- ROOF CURB IS SHIPPED UNASSEMBLED

HEIGHT OF CORNER A	HEIGHT OF CORNER B	HEIGHT OF CORNER C	HEIGHT OF CORNER D