

Cambridgeport

SUBMITTAL

SUBMITTED TO _____
 COMPANY _____
 JOB NAME _____
 EQUIPMENT _____
 SIGNATURE _____
 DATE _____

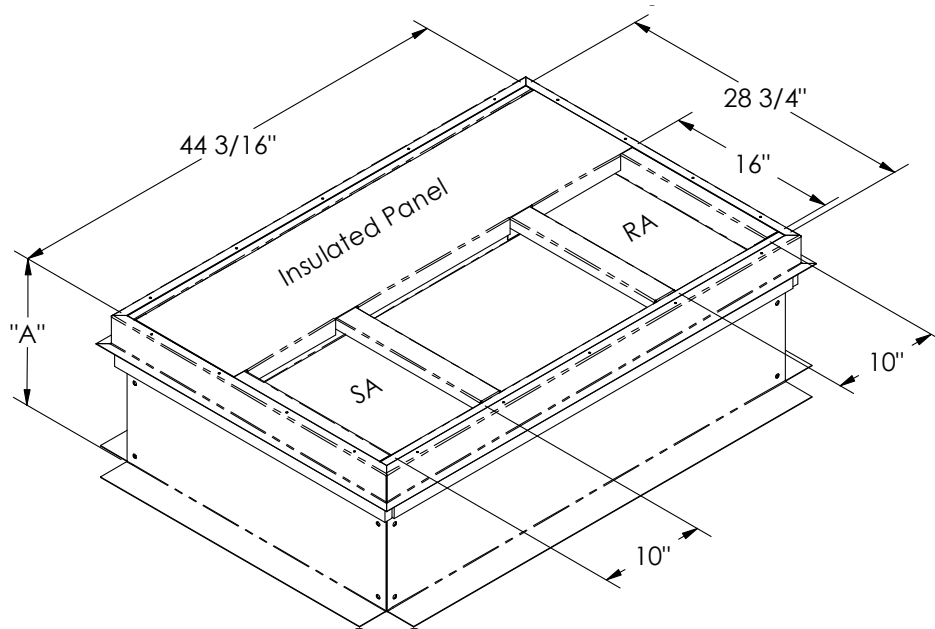
ROOF CURBS FOR BRYANT ROOFTOP UNITS

577C--A, 574D--A, 604D--A 24, 30, 36
 704D--A, 24, 30, 36
 577D--A, 607C--A, 607D--A, 677C--A, 707C--A 24, 30

ROOF CURBS FOR CARRIER ROOFTOP UNITS

48/50ES-A 24-36 ; 48/50EZ-A 24-36
 48/50VL-A 24-36
 48/50VT-A 24, 30 ; 48/50XL-A 24, 30

CAS PT#	CAR/BRY PART #	CAS INSULATED PART#	CURB HEIGHT (A")
1014886	CPRFCURB010A00	1014890	11"
1014887	CPRFCURB011A00	1014891	14"
1014888		1014892	18"
1014889		1014893	24"



FEATURES

- MITERED TOP CORNERS
- ROOF CURB IS FABRICATED OF 18GA G90 GALVANIZED STEEL
- FULL PERIMETER WOOD NAILER
- PRE-PUNCHED ASSEMBLY HOLES AND HARDWARE INCLUDED FOR DUCT SUPPORT INSTALLATION
- ROOF CURB IS SHIPPED UNASSEMBLED
- CURBS ARE INTERNALLY INSULATED WITH 1" THICK 1-1/2 LB DENSITY DUCT LINER

