

Cambridgeport

SUBMITTAL

SUBMITTED TO _____
 COMPANY _____
 JOB NAME _____
 EQUIPMENT _____
 SIGNATURE _____
 DATE _____

**SLOPE ROOF CURB FOR
BRYANT ROOFTOP UNITS**

577C--A, 574D--A, 604D--A 24, 30, 36
 704D--A, 24, 30, 36
 577D--A, 607C--A, 607D--A, 677C--A, 707C--A 24, 30

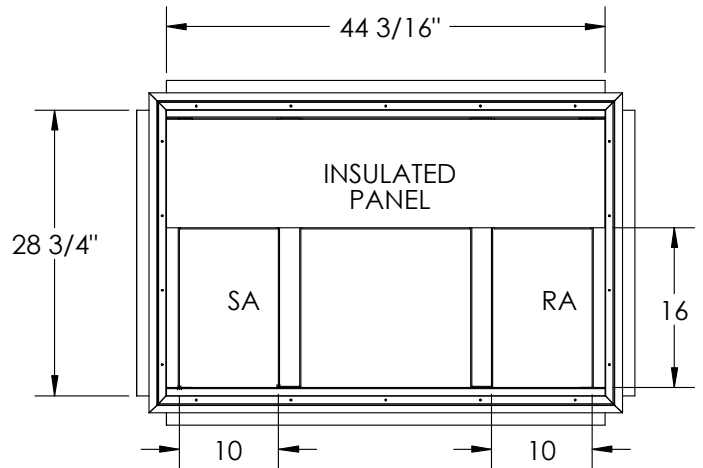
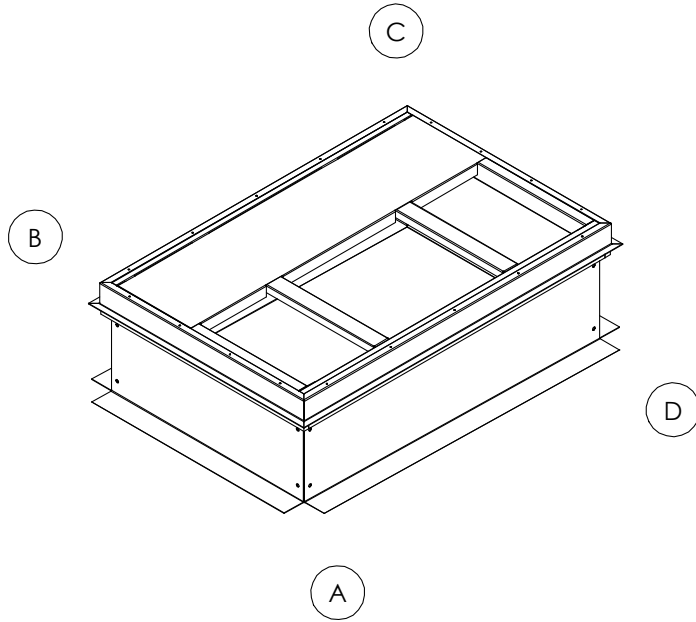
**SLOPE ROOF CURB FOR
CARRIER ROOFTOP UNITS**

48/50ES-A 24-36 ; 48/50EZ-A 24-36
 48/50VL-A 24-36
 48/50VT-A 24, 30 ; 48/50XL-A 24, 30

DESCRIPTION

**Sloped up to 2" per Ft.
Sloped 2" up to 3" per Ft.**

**PART#
1014895
1014896**



FEATURES

- MITERED TOP CORNERS
- ROOF CURB FABRICATED OF HEAVY GAUGE GALVANIZED STEEL
- FULL PERIMETER WOOD NAILER
- PRE-PUNCHED ASSEMBLY HOLES AND HARDWARE INCLUDED FOR -DUCT SUPPORT INSTALLATION
- ROOF CURB IS SHIPPED UNASSEMBLED

HEIGHT OF CORNER A	HEIGHT OF CORNER B	HEIGHT OF CORNER C	HEIGHT OF CORNER D