

# Cambridgeport

## SUBMITTAL

SUBMITTED TO \_\_\_\_\_  
 COMPANY \_\_\_\_\_  
 JOB NAME \_\_\_\_\_  
 EQUIPMENT \_\_\_\_\_  
 SIGNATURE \_\_\_\_\_  
 DATE \_\_\_\_\_

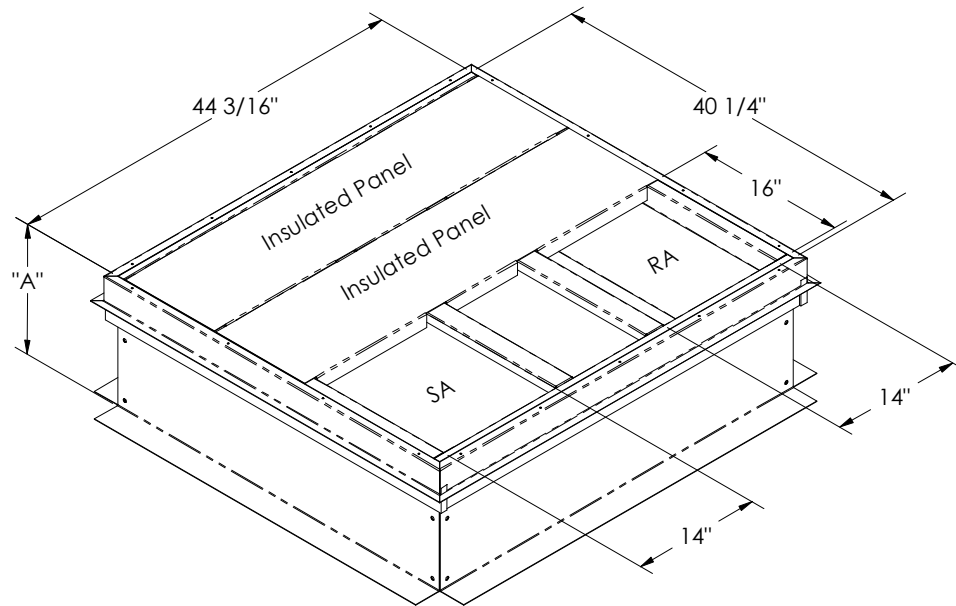
## ROOF CURBS FOR BRYANT ROOFTOP UNITS

577C--A, 574D--A, 604D--A 42, 48, 60  
 704D--A, 42, 48, 60  
 577D--A, 607C--A 36, 42, 48, 60  
 607D--A, 677C--A, 707C--A 36, 42, 48, 60

## ROOF CURBS FOR CARRIER ROOFTOP UNITS

48/50ES-A 42-60 ; 48/50EZ-A 42-60  
 48/50VL-A 42-60  
 48/50 VT-A 36-60 ; 48/50 XL-A 36-60

CAS PT#	CAR/BRY PART #	CAS INSULATED PART#	CURB HEIGHT (A")
1014901	CPRFCURB012A00	1014905	11"
1014902	CPRFCURB013A00	1014906	14"
1014903		1014907	18"
1014904		1014908	24"



## FEATURES

- MITERED TOP CORNERS
- ROOF CURB IS FABRICATED OF 18GA G90 GALVANIZED STEEL
- FULL PERIMETER WOOD NAILER
- PRE-PUNCHED ASSEMBLY HOLES AND HARDWARE INCLUDED FOR DUCT SUPPORT INSTALLATION
- ROOF CURB IS SHIPPED UNASSEMBLED
- CURBS ARE INTERNALLY INSULATED WITH 1" THICK 1-1/2 LB DENSITY DUCT LINER

