

Cambridgeport

SUBMITTAL

SUBMITTED TO _____
 COMPANY _____
 JOB NAME _____
 EQUIPMENT _____
 SIGNATURE _____
 DATE _____

SLOPE ROOF CURB FOR BRYANT ROOFTOP UNITS

577C--A, 574D--A, 604D--A 42, 48, 60
 704D--A, 42, 48, 60
 577D--A, 607C--A 36, 42, 48, 60
 607D--A, 677C--A, 707C--A 36, 42, 48, 60

SLOPE ROOF CURB FOR CARRIER ROOFTOP UNITS

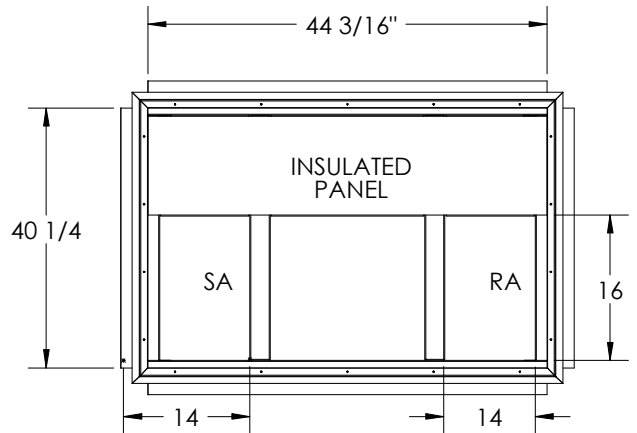
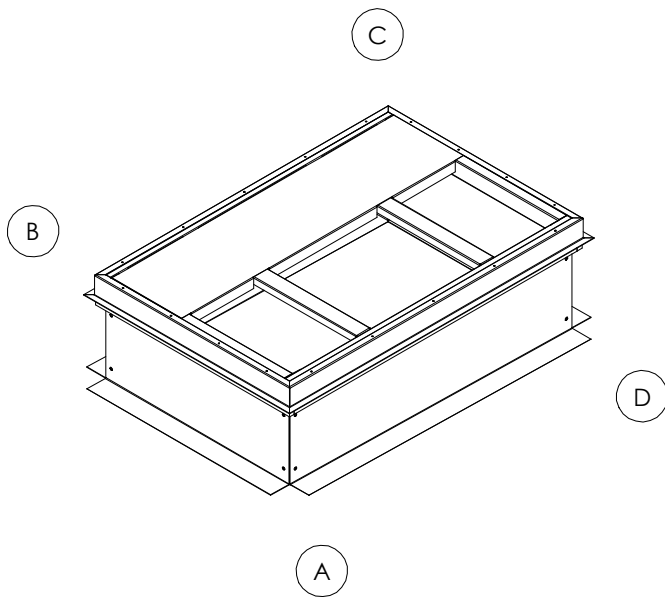
48/50ES-A 42-60 ; 48/50EZ-A 42-60
 48/50VL-A 42-60; 48/50 XL-A 42-60
 48/50 VT-A 36-60

DESCRIPTION

Sloped up to 2" per Ft.
Sloped 2" up to 3" per Ft.

PART#

1014910
1014911



FEATURES

MITERED TOP CORNERS
 ROOF CURB FABRICATED OF HEAVY GAUGE GALVANIZED STEEL
 FULL PERIMETER WOOD NAILER
 PRE-PUNCHED ASSEMBLY HOLES AND HARDWARE INCLUDED FOR
 -DUCT SUPPORT INSTALLATION
 ROOF CURB IS SHIPPED UNASSEMBLED

HEIGHT OF CORNER A	HEIGHT OF CORNER B	HEIGHT OF CORNER C	HEIGHT OF CORNER D