

DATE: _____

COMPANY: _____

JOB NAME: _____

SUBMITTED BY: _____

NOTES: _____

DROP BOX FLEX DUCT CONCENTRIC KIT SUBMITTAL DATA FOR:

CARRIER UNITS

48/50 GJ, HJ, TJ, TF, TM 004-007

BRYANT UNITS

548C, D, F; 551A, B; 558C, D, F 036-072

580C, D, F; 581A, B; 549B 036-072

RELOCATE THIS SUPPORT BAR
DURING PAN INSTALLATION TO
SUIT SIZE OF SUPPLY PAN

ROOF CURB
(SOLD
SEPARATELY)

FLEX DUCT
(SOLD SEPARATELY)

CONCENTRIC BOX
INSULATION

FEATURES:

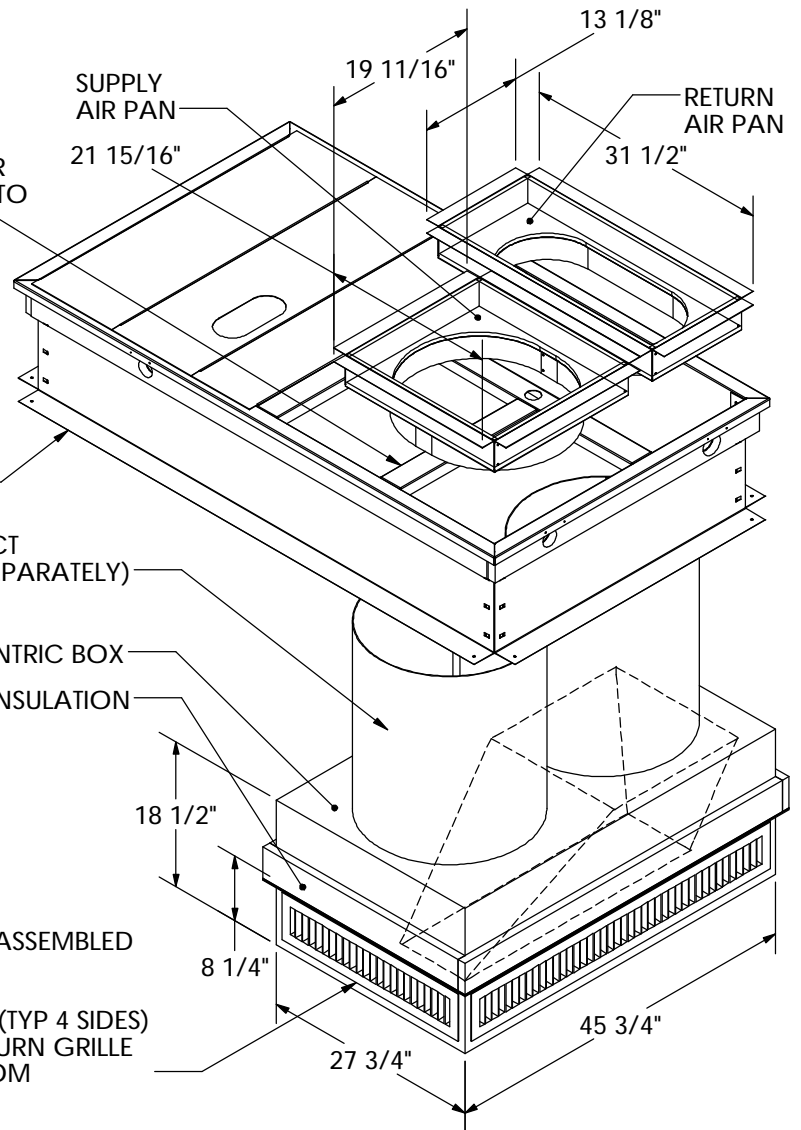
CONCENTRIC PANS ARE INSULATED INTERNALLY
AND SHIPPED ASSEMBLED

CONCENTRIC BOX IS CONSTRUCTED OF
GALVANIZED STEEL AND IS INSULATED INTERNALLY

LOWER BOX IS FACTORY PAINTED WHITE

CONCENTRIC BOX AND DIFFUSER GRILLE ARE SHIPPED ASSEMBLED

SUPPLY GRILLES (TYP 4 SIDES)
EGG CRATE RETURN GRILLE
IS ON THE BOTTOM



CAMBRIDGEPORT PART NUMBER	DUCT SIZE	APPLICABLE MODEL NUMBERS	FLEX (SOLD SEPARATELY)	NOMINAL CFM	THROW IN FT.	
					MIN	MAX
1016393	2 @ 20"	CRRFCURB001A	1000090 (2-20")	1200-2400	20'	31"

NOTES:

- 1 - INSTALL INSULATED ADAPTER PANS BEFORE A/C UNIT IS PLACED ON CURB.
- 2 - FIELD BAFFLES MAY BE REQUIRED FOR BALANCING
- 3 - CONCENTRIC BOX MUST BE FIELD SUPPORTED

Drawn By: CRF
Date: 7/8/10 Rev: 0

Cambridgeport

AIR SYSTEMS

MEMPHIS, TN 38118

PHONE 1-877-648-2872 FAX 901-566-0035

SALISBURY, MA 01952

PHONE 1-800-648-2872 FAX 978-462-9189