

DATE: \_\_\_\_\_

COMPANY: \_\_\_\_\_

JOB NAME: \_\_\_\_\_

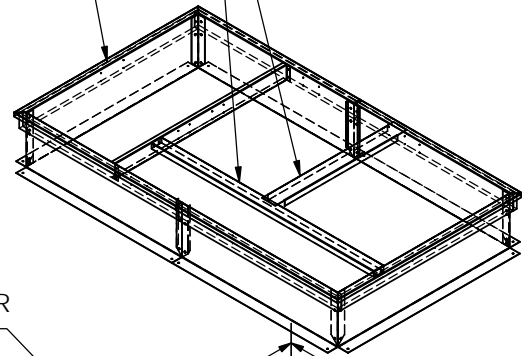
SUBMITTED BY: \_\_\_\_\_

NOTES: \_\_\_\_\_

\_\_\_\_\_

ROOF CURB  
(SOLD SEPARATELY)

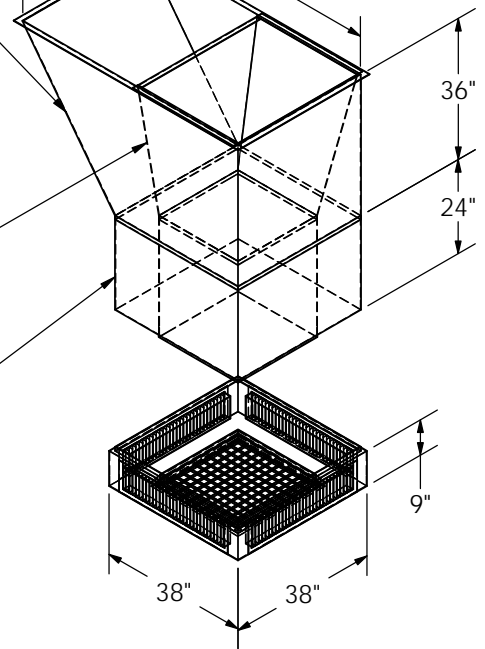
DUCT SUPPORT  
(SUPPLIED WITH DUCT KIT)



INSULATED SUPPLY AIR  
TRANSITION DUCT

"A"

"B"



36"

24"

INSULATED RETURN AIR  
TRANSITION DUCT

SUPPLY DUCT MUST BE  
FIELD SUPPORTED

9"

38"

38"

### DROP BOX HARD DUCT SUBMITTAL DATA FOR:

#### LENNOX UNITS

LGC, LCC 090S, 102S, 120S, 150S

LGA, LCA 090H, 102H, 120H, 150H

LHA, THA 090, 102, 120, 150

TGA, TCA 090, 102, 120, 150

#### FEATURES:

DROP BOX SHIPPED ASSEMBLED, INSULATED WITH 1" INSULATION  
PAINTED WHITE WITH DOUBLE DEFLECTION SUPPLY GRILLES  
AND EGG CRATE RETURN

SUPPLY DUCT INSULATED WITH 1" INSULATION

RETURN DUCT INSULATED WITH 1/2" INSULATION

| CAMBRIDGEPORT<br>PART NUMBER | APPLICABLE<br>CURB<br>MODEL NUMBERS | "A"     | "B"     | SUPPLY<br>GRILL | RETURN<br>GRILL | NOMINAL<br>CFM | THROW IN<br>FT. |     |
|------------------------------|-------------------------------------|---------|---------|-----------------|-----------------|----------------|-----------------|-----|
|                              |                                     |         |         |                 |                 |                | MIN             | MAX |
| 1016466                      | 1007729                             | 36 1/4" | 63 5/8" | (4)-30 X 6      | 24" X 24"       | 4,000          | 25'             | 47' |

#### NOTES:

- 1 - DO NOT INSTALL FACTORY SUPPLIED DUCT SUPPORTS UNLESS NOTED IN ASSEMBLY INSTRUCTIONS
- 2 - INSTALL CONCENTRIC DUCTWORK BEFORE SETTING A/C UNIT IN PLACE
- 3 - PLACE GASKETING ON ALL SURFACES OF DUCT FLANGE AND CURB
- 4 - ALIGN CARRIER UNIT SUPPLY OPENING TO MATCH SUPPLY OPENING OF CONCENTRIC DUCT KIT
- 5 - FIELD BAFFLES MAY BE REQUIRED FOR BALANCING
- 6 - FOR INSTALLATION SEE ASSEMBLY INSTRUCTIONS

Drawn By: CDM  
Date: 7/12/10 Rev: 0

# Cambridgeport AIR SYSTEMS

MEMPHIS, TN 38118

PHONE 1-877-648-2872 FAX 901-566-0035

SALISBURY, MA 01952

PHONE 1-800-648-2872 FAX 978-462-9189