

© 2007 COX ENGINEERING DBA CAMBRIDGEPORT AIR SYSTEMS.
 THE INFORMATION CONTAINED IN THIS DOCUMENT IS PROPRIETARY TO
 COX ENGINEERING COMPANY DBA CAMBRIDGEPORT AIR SYSTEMS.
 THIS DOCUMENT OR THE INFORMATION CONTAINED IN WHOLE OR IN PART
 MAY NOT BE ISSUED TO ANOTHER PARTY WITHOUT WRITTEN CONSENT AND
 AUTHORIZATION FROM CAMBRIDGEPORT.

SURE LOCK ROOF CURB

Assembly Instructions

GOODMAN 1A

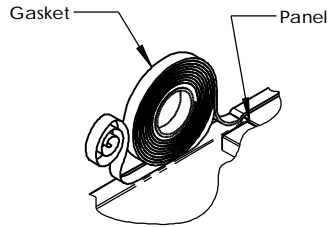
1017441

Drawn Date: 3/8/11

Rev.

Drawn By: RTO

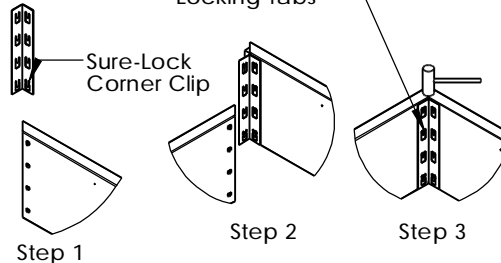
Estimated Weight: 92 LBS.



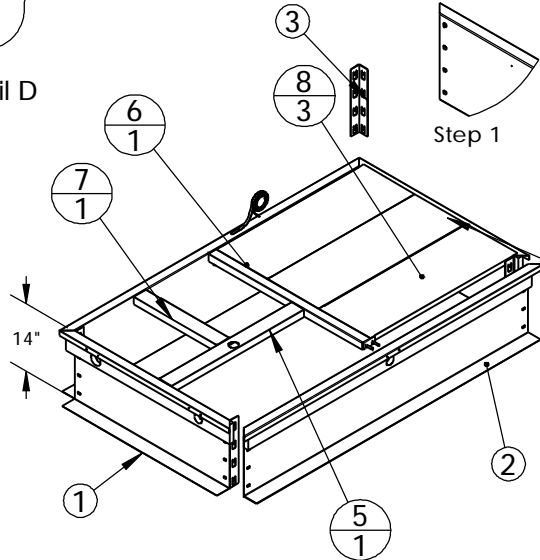
Detail D

U.S. PATENT # 5465533

DETAIL C
 SEE NOTE 3



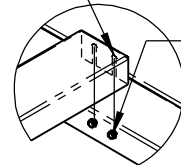
Typ Corner Assy Detail
 US Patent # 5465533



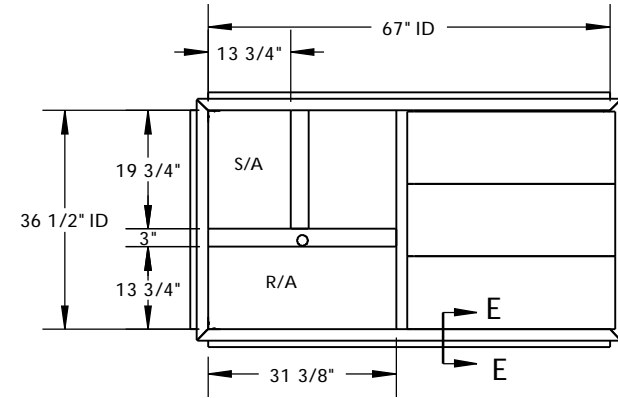
NOTE: ATTACH THE DUCTWORK TO THE CURB NOT THE UNIT (FLANGES OF DUCT REST ON CURB AND DUCT SUPPORTS)

Slot in Duct Support

Tek-Screw

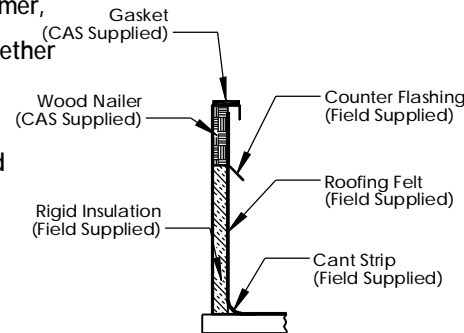


Detail B
 See Note 3



Notes: Step By Step Assembly Instructions

- Assemble The Rail Corners Per "Typ Corner Assembly Detail" in the following order:
 - Step 1: Put Sure-Lock Corner Clip in Rail Without Wood Overhang First. Then Slide Clip Through Keepers on Rail 3/4 of the way. Tongue Should Slide past the Keepers BUT Not Locked.
 - Step 2: Arrange Side and End Together at Right Angles as Shown. Connect Rail with the Wood Overhang. Make Sure Tongue is Through Keepers Before Gently Tapping Remaining Distance with Hammer.
 - Step 3: Slide the Clip Down the Inside Corner of the Curb Rails Allowing the Tongue on the Clip to Slide through the Keepers. Gently Tap the Clip the Remaining Distance with a Hammer, Tightly Locking the Corners.
- Arrange Sides and Ends Together at Right Angles as Shown in Detail A. Bolt Sides Together as Shown Using the 4 Corner Brackets and Provided Hardware as shown in Detail A.
- Put #10-16 x 3/4" Tek Screw in Provided Pilot Holes in Sides and Ends as Necessary. Insert Slotted Ends of Duct Supports over Screws and Tighten as Required. Repeat for all Duct Support Locations. See Detail B.
- When Insulated Panels are Included, Place the Insulated Panels Together with Formed Flanges Facing Down Allowing Flanged Portion to Rest Inside of Rails. (Gasket Will Hold Panels in Place. See Detail D).
- Remove Paper Backing from Provided Gasketing and Apply to Top Perimeter of Roof Curb and Duct Supports. (See Detail D). Set Curb in Place Over Roof Opening. Level Curb and Secure to Roof.
- Important: The Gasketing of the Unit to the Roof Curb is Critical for Water Tightness. Install Gasket Supplied with Roof Curb as Shown in Detail D. Improperly Applied Gasket Can Result in Air Leaks and Poor Unit Performance.



TYP Cross Section

11	WOOD 1X4 X 66 7/8"	2
10	WOOD 1X4 X 38 1/2"	2
9	Gasket, NEO, 1-1/4 X 1/4 X 25'	1
8	INSULATED PANEL	3
7	SUPPORT, DUCT	1
6	SUPPORT, DUCT	1
5	SUPPORT, DUCT	1
4	10-16 X 3/4 TEK SCREWS, BAG (25)	1
3	SURE LOCK CLIP	4
2	SIDE-2	2
1	SIDE-1	2
ITEM NO.	PART DESCRIPTION	QTY.

Cambridgeport

NORTH
 8 Fanaras Drive
 Salisbury Industrial Park
 Salisbury MA 01952

1-800-648-2872

SOUTH
 3529 Lamar Ave.
 Lamar Industrial park
 Memphis TN 38118

HVAC Accessories & Engineered Systems