

DATE: _____

COMPANY: _____

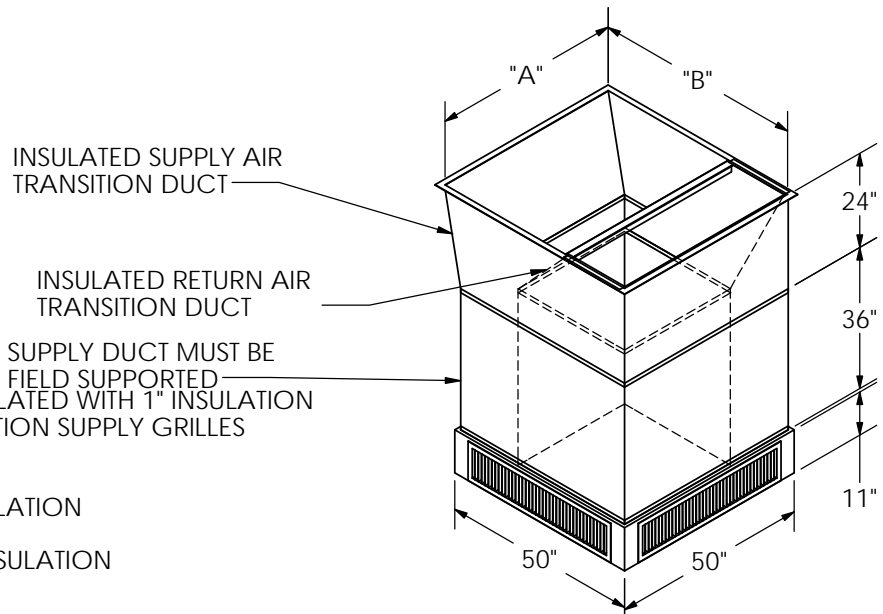
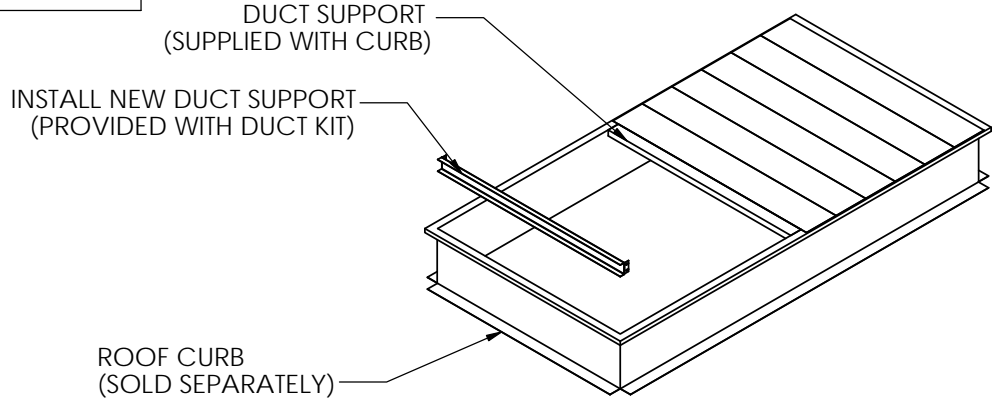
JOB NAME: _____

SUBMITTED BY: _____

NOTES: _____

**DROP BOX HARD DUCT
SUBMITTAL DATA FOR:**

**BRYANT UNITS
551J, 581J 14 ; 558J, 580J 16
CARRIER UNITS
48/50TC 16, 48/50HC 14**



FEATURES:

DROP BOX SHIPPED ASSEMBLED, INSULATED WITH 1" INSULATION
PAINTED WHITE WITH DOUBLE DEFLECTION SUPPLY GRILLES
AND EGG CRATE RETURN

SUPPLY DUCT INSULATED WITH 1" INSULATION

RETURN DUCT INSULATED WITH 1/2" INSULATION

CAMBRIDGEPORT PART NUMBER	APPLICABLE CURB MODEL NUMBERS	"A"	"B"	SUPPLY GRILL	RETURN GRILL	NOMINAL CFM	THROW IN FT.	
							MIN	MAX
1017549	Carrier 74A	48 1/4"	52 7/8"	(4)-40 X 8	32" X 32"	6,000	28'	70'

NOTES:

- 1 - DO NOT INSTALL FACTORY SUPPLIED DUCT SUPPORTS UNLESS NOTED IN ASSEMBLY INSTRUCTIONS
- 2 - INSTALL CONCENTRIC DUCTWORK BEFORE SETTING A/C UNIT IN PLACE
- 3 - PLACE GASKETING ON ALL SURFACES OF DUCT FLANGE AND CURB
- 4 - ALIGN TRANE UNIT SUPPLY OPENING TO MATCH SUPPLY OPENING OF CONCENTRIC DUCT KIT
- 5 - FIELD BAFFLES MAY BE REQUIRED FOR BALANCING
- 6 - FOR INSTALLATION SEE ASSEMBLY INSTRUCTIONS

Drawn By: CDM
Date: 4/18/11 Rev: 1

**Cambridgeport
AIR SYSTEMS**

MEMPHIS, TN 38118

PHONE 1-877-648-2872 FAX 901-566-0035

SALISBURY, MA 01952

PHONE 1-800-648-2872 FAX 978-462-9189