

Cambridgeport

SUBMITTAL

SUBMITTED TO _____
 COMPANY _____
 JOB NAME _____
 EQUIPMENT _____
 SIGNATURE _____
 DATE _____

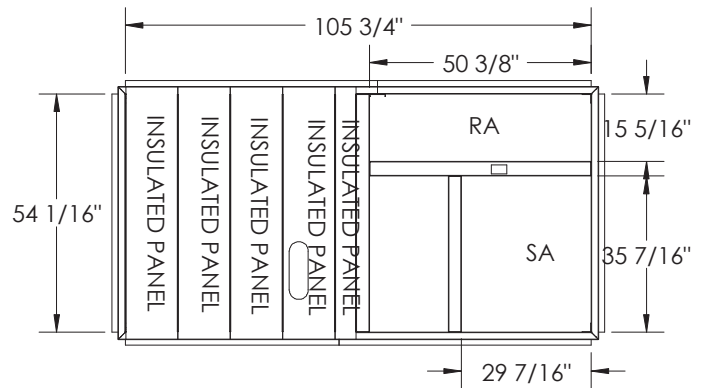
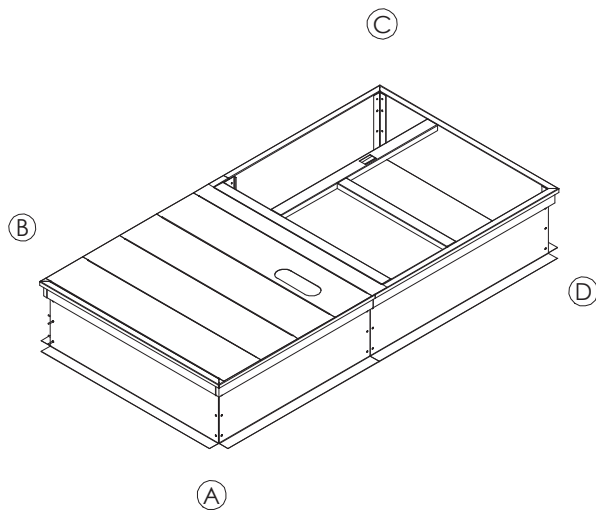
SLOPE ROOF CURB FOR BRYANT ROOFTOP UNITS

551J, 581J 14
 558J, 580J 16

SLOPE ROOF CURB FOR CARRIER ROOFTOP UNITS

48/50TC 16
 48/50HC 14

DESCRIPTION	PART #
Slope Roof Curb up to 2" per Ft.	1018274
Slope Roof Curb over 2" up to 3" per Ft.	1018275



FEATURES

- MITERED TOP CORNERS
- ROOF CURB FABRICATED OF HEAVY GAUGE GALVANIZED STEEL
- FULL PERIMETER WOOD NAILER
- PRE-PUNCHED ASSEMBLY HOLES AND HARDWARE INCLUDED FOR DUCT SUPPORT INSTALLATION
- ROOF CURB IS SHIPPED UNASSEMBLED

HEIGHT OF CORNER A	HEIGHT OF CORNER B	HEIGHT OF CORNER C	HEIGHT OF CORNER D