

Cambridgeport

SUBMITTAL

SUBMITTED TO _____
 COMPANY _____
 JOB NAME _____
 EQUIPMENT _____
 SIGNATURE _____
 DATE _____

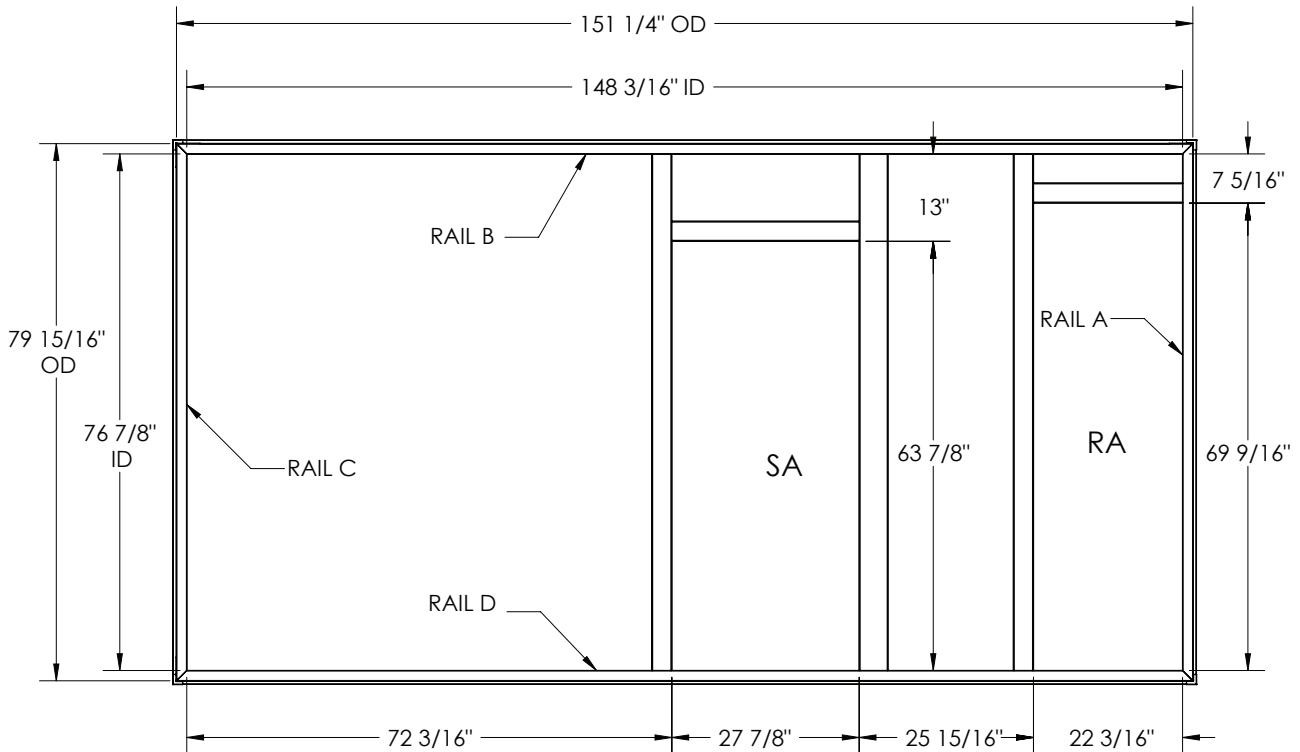
ISOLATION RAILS FOR BRYANT ROOFTOP UNITS

558J30 ; 551J28
 580J30 ; 581J28

ISOLATION RAILS FOR CARRIER ROOFTOP UNITS

48/50HC 28
 48/50TC 30

DESCRIPTION	PART#
1" Deflection KD	1018299
2" Deflection KD	1018300



FEATURES

- SHIPPED KNOCK DOWN
- MITERED TOP CORNERS
- FABRICATED OF ALUMINUM EXTRUSION
- FULL PERIMETER WEATHER SEAL
- 1" OR 2" STATIC DEFLECTION
- DUCT SUPPORTS INCLUDED
- ROOF CURB SOLD SEPARATELY
- CANVAS DUCT CONNECTIONS (NOT INCLUDED)

