

Cambridgeport

SUBMITTAL

SUBMITTED TO _____
 COMPANY _____
 JOB NAME _____
 EQUIPMENT _____
 SIGNATURE _____
 DATE _____

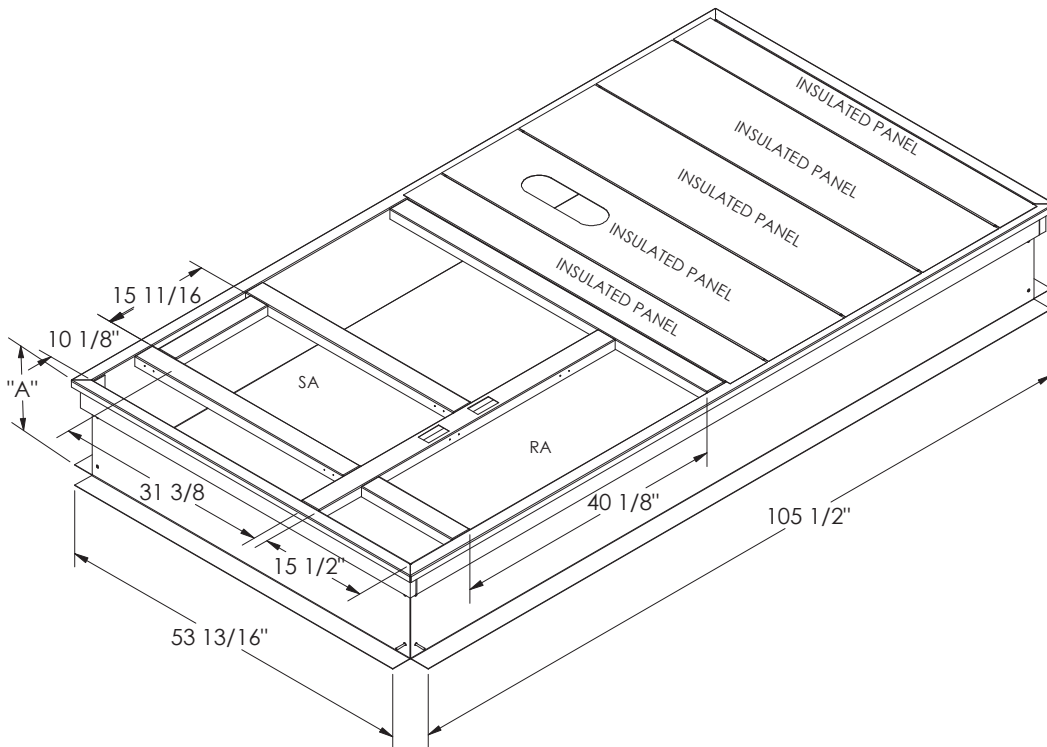
ROOF CURBS FOR BRYANT ROOFTOP UNITS

549J12 ; 548J14

ROOF CURBS FOR CARRIER ROOFTOP UNITS

50TCQ 14
50HCQ 12

CAS PT#	CAR/BRY PART #	CAS INSULATED PART#	CURB HEIGHT (A")
1016388	CRRFCURB072A00	1018314	14"
1018292		1018315	18"
1018307	CRRFCURB073A00	1018316	24"



FEATURES

- MITERED TOP CORNERS
- ROOF CURB IS FABRICATED OF 18GA G90 GALVANIZED STEEL
- FULL PERIMETER WOOD NAILER
- PRE-PUNCHED ASSEMBLY HOLES AND HARDWARE INCLUDED FOR DUCT SUPPORT INSTALLATION
- ROOF CURB IS SHIPPED UNASSEMBLED
- CURBS ARE INTERNALLY INSULATED WITH 1" THICK 1-1/2 LB DENSITY DUCT LINER

