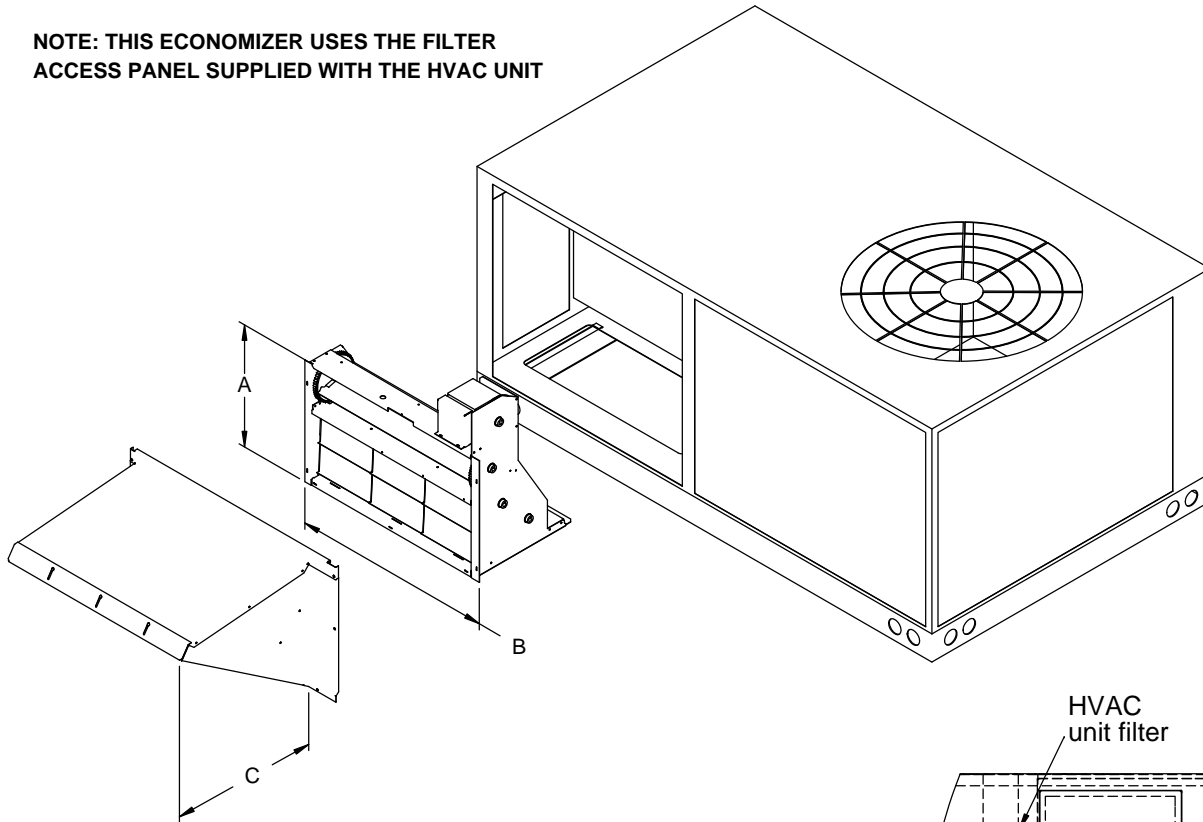


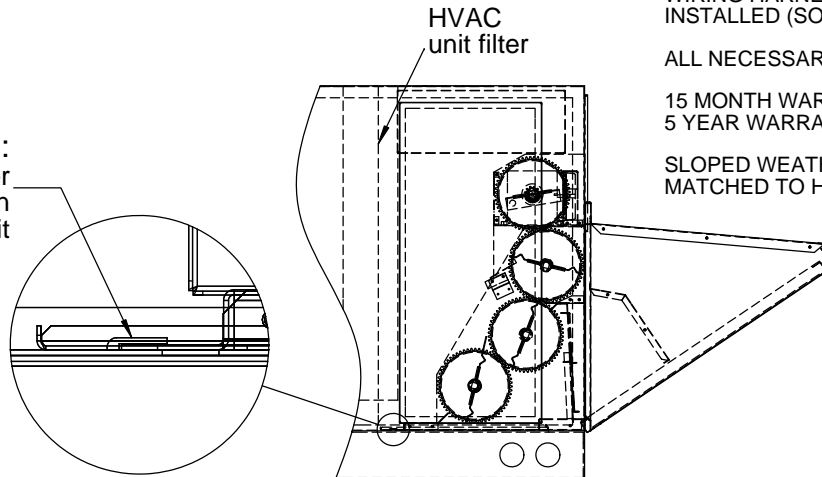
THE INFORMATION CONTAINED IN THIS DRAWING IS THE SOLE PROPERTY OF CAMBRIDGEPORT AIR SYSTEMS. ANY REPRODUCTION IN PART OR WHOLE WITHOUT THE WRITTEN PERMISSION OF CAMBRIDGEPORT IS PROHIBITED.

	CAS No.	YEAR	Type	A	B	C	WGT
3A	1022355	2008-CURRENT	Enthalpy	17-1/2"	28-1/4"	20-5/8"	63lb
3A	1022911	PRE-2008	Enthalpy	17-1/2"	28-1/4"	20-5/8"	63lb
4A	1022356	2008-CURRENT	Enthalpy	23-1/4"	35-3/4"	16"	81lb
4A	1022912	PRE-2008	Enthalpy	23-1/4"	35-3/4"	16"	81lb
74A	1022558	2008-CURRENT	Enthalpy	17-7/8"	46-1/4"	14-3/8"	97lb
74A	1022936	PRE-2008	Enthalpy	17-7/8"	46-1/4"	14-3/8"	97lb

**NOTE: THIS ECONOMIZER USES THE FILTER ACCESS PANEL SUPPLIED WITH THE HVAC UNIT**



**Note:**  
Ensure economizer engages tabs in HVAC unit



# SUBMITTAL

## CAMBRIDGEPORT ECONOMIZER

### CASECOMZR003AGE/ZIP

CARRIER UNITS  
48/50 TC 004 - 007

BRYANT UNITS  
548J, 558J, 580J 04-07  
549J, 551J, 581J 04,05,06

### CASECOMZR004AGE/ZIP

CARRIER UNITS  
48/50 TC 008 - 014

BRYANT UNITS  
558J, 580J 08, 09, 12, 14  
551J, 581J 07, 08, 09, 12  
548J 08, 09, 12 ; 549J 07, 08, 09

### CASECOMZR074AGE/ZIP

CARRIER UNITS  
48/50 HC14/TC16

Features :

BELIMO ZIP CONTROLLER

BELIMO SHAFT MOUNTED ACTUATOR WITH FEEDBACK

ECONOMIZER IS CONSTRUCTED OF 18 GAUGE GALVANIZED STEEL AND IS SHIPPED FULLY ASSEMBLED

INCLUDES 90% BAROMETRIC RELIEF OPENING

STANDARD WITH ENTHALPY CONTROL AND BELIMO ENERGY MODULE FOR CO2 AND ACCESSORY ADD-ONS

ECONOMIZER IS GEAR DRIVEN AND CONVERTIBLE

MOISTURE ELIMINATING FILTERS

WIRING HARNESS AND ENTHALPY SENSOR FACTORY INSTALLED (SOME FIELD WIRING MAY APPLY)

ALL NECESSARY HARDWARE AND INSTRUCTIONS INCLUDED

15 MONTH WARRANTY FROM SHIP DATE  
5 YEAR WARRANTY ON BELIMO CONTROLLER

SLOPED WEATHERHOOD AND BLOCK-OFF PANEL COLOR MATCHED TO HVAC UNIT.

# Cambridgeport™

HVAC Accessories & Engineered Systems

8 FANARAS DRIVE  
SALISBURY, MA  
800-848-2872  
F(978) 462-9189

DESCRIPTION

**CASECOMZR003AG , 004AG ,074G  
STD. LOW LEAK CONVERTIBLE**

SIZE DWG. NO.  
A ECONOMIZER SUBMITTAL SHEET

SHEET 1 OF 1

# APPROVAL

Submitted to:

Company:

Job Name:

Equipment:

Approved by:

Date: