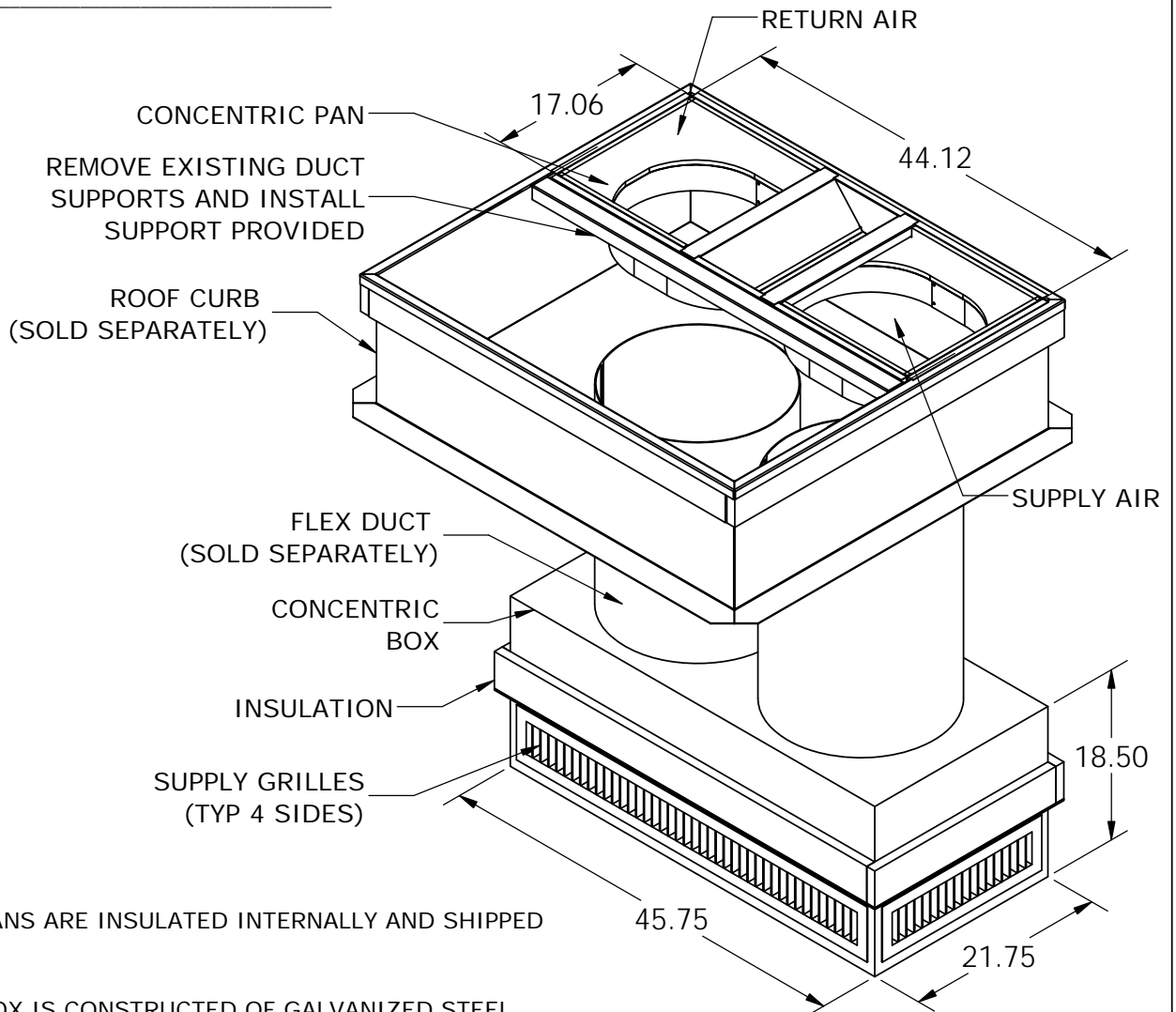


© 2007 COX ENGINEERING DBA CAMBRIDGEPORT AIR SYSTEMS.
 THE INFORMATION CONTAINED IN THIS DOCUMENT IS PROPRIETARY TO
 COX ENGINEERING COMPANY DBA CAMBRIDGEPORT AIR SYSTEMS.
 THIS DOCUMENT OR THE INFORMATION CONTAINED IN WHOLE OR IN PART
 MAY NOT BE ISSUED TO ANOTHER PARTY WITHOUT WRITTEN CONSENT AND
 AUTHORIZATION FROM CAMBRIDGEPORT.

**DROP BOX FLEX DUCT CONCENTRIC KIT
 SUBMITTAL DATA FOR:**

**YORK UNITS
 PCG 48**

DATE: _____
 COMPANY: _____
 JOB NAME: _____
 SUBMITTED BY: _____
 NOTES: _____



FEATURES:

CONCENTRIC PANS ARE INSULATED INTERNALLY AND SHIPPED ASSEMBLED

CONCENTRIC BOX IS CONSTRUCTED OF GALVANIZED STEEL AND IS INSULATED INTERNALLY

LOWER BOX IS FACTORY PAINTED WHITE

CONCENTRIC BOX AND DIFFUSER GRILLE ARE SHIPPED ASSEMBLED

CAS PART #	DUCT SIZE	APPLICABLE CURB MODEL	FLEX (SOLD SEPARATELY)	NOMINAL CFM	THROW IN FT
36756	2 @ 18"	1RCO-504	1000080 (2-18")	1400-2000	20 MIN - 30 MAX

NOTES:

- FIELD BAFFLES MAY BE REQUIRED FOR BALANCING
- CONCENTRIC BOX MUST BE FIELD SUPPORTED

Cambridgeport

NORTH
 8 Fanaras Drive
 Salisbury Industrial Park
 Salisbury MA 01952
 1-800-648-2872
 1-877-648-2872

HVAC Accessories & Engineered Systems

Drawn	JSL	Description	DROP BOX FLEX DUCT CONCENTRIC KIT
Date	1/4/2015		
Sheet	1 of 1	Part No.	
		Rev.	