

DATE: _____
 COMPANY: _____
 JOB NAME: _____
 SUBMITTED BY: _____
 NOTES: _____

INSULATED ROOF CURB SUBMITTAL #1023506

1RCO-502

INSUL CURB ASSEMBLY NUMBER

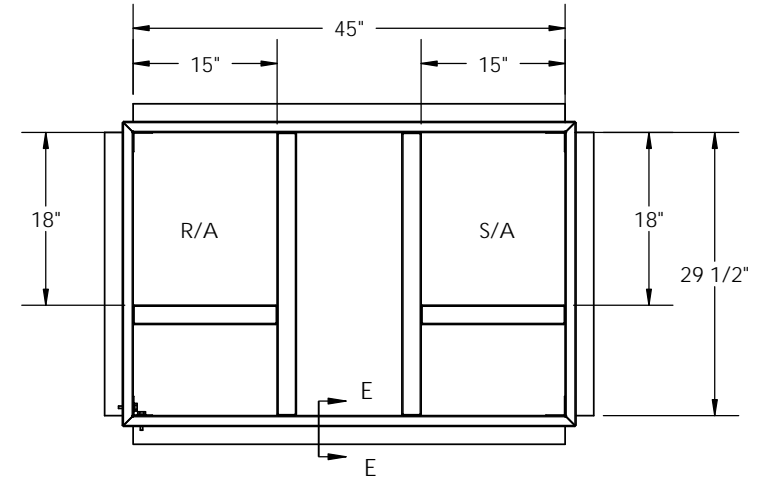
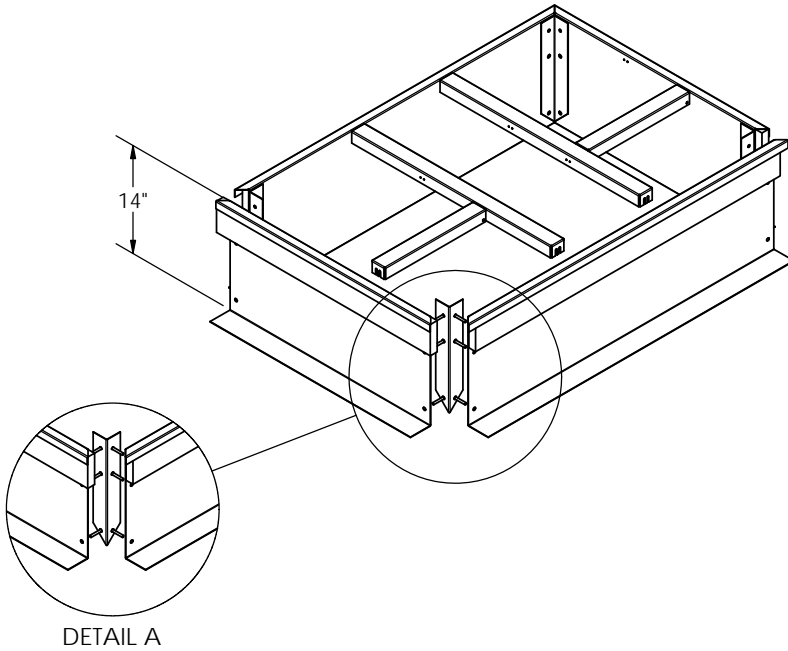
1023506

REV:

Drawn By: RTO
 Drawn Date: 04/12/16

ESTIMATED WEIGHT: 58 LBS.

FULLY INSULATED



FEATURES:

MITERED TOP CORNERS

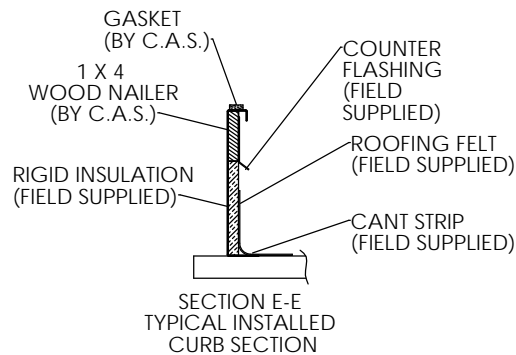
PRE-PUNCHED ASSEMBLY HOLES AND HARDWARE INCLUDED FOR DUCT SUPPORT INSTALLATION,

ROOF CURB BODY IS FABRICATED OF HEAVY GAUGE GALVANIZED STEEL.

FULL PERIMETER WOOD NAILER.

ROOF CURB IS SHIPPED KNOCKED DOWN.

ROOF CURB IS INSULATED.



ROOF CURB IS LABELED WITH RTU# IF APPLICABLE

™

Cambridgeport

AIR SYSTEMS, INC.

SALISBURY, MA 01952
 PHONE 1-800-648-2872 FAX 1978-462-9189