

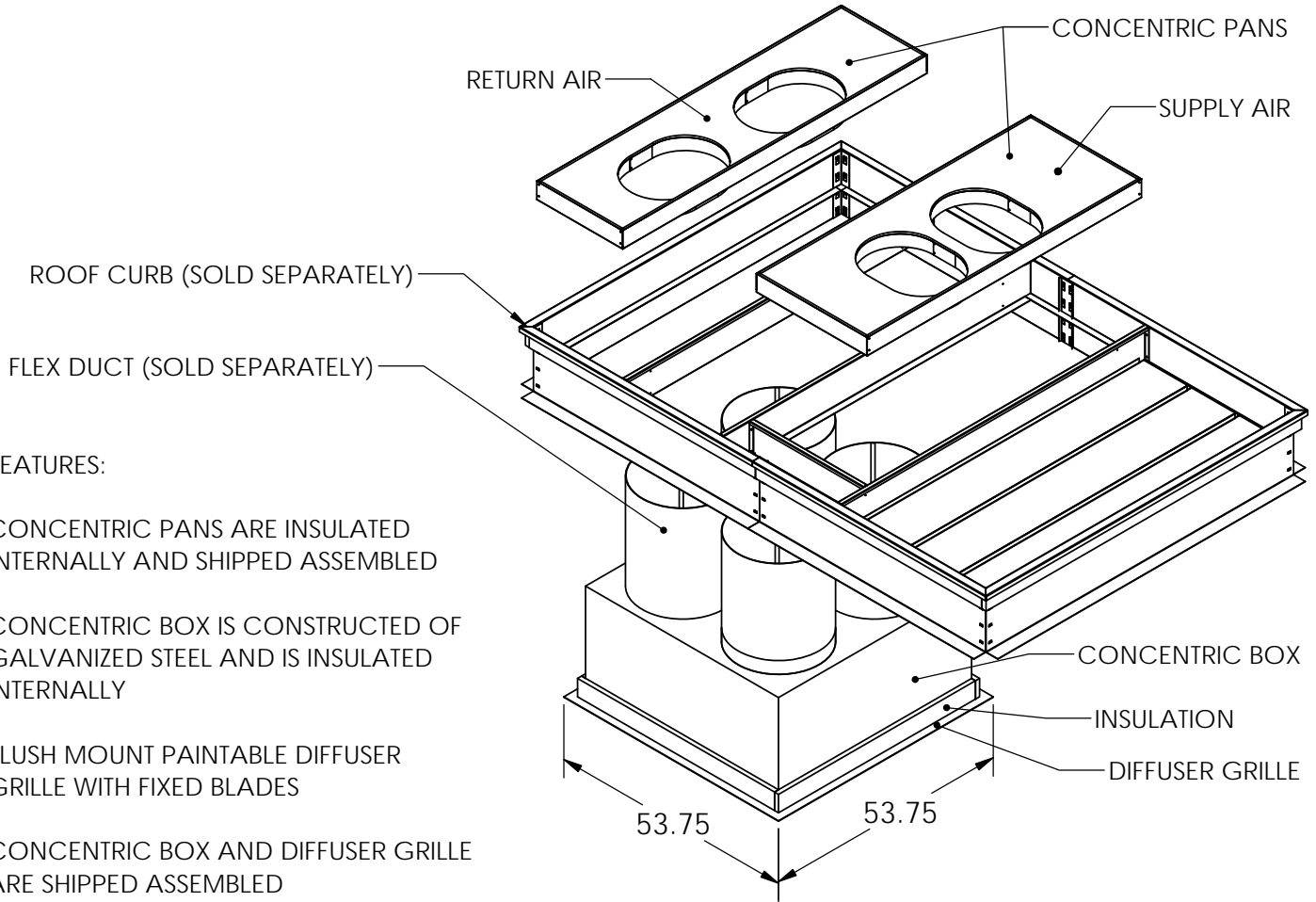
DATE: _____
 COMPANY: _____
 JOB NAME: _____
 SUBMITTED BY: _____
 NOTES: _____

**FLUSH MOUNT FLEX DUCT CONCENTRIC
 KIT SUBMITTAL DATA FOR:**

TRANE UNITS

TCD/WCD/YCD210-240B

TCD/YCD211-241B



FEATURES:

CONCENTRIC PANS ARE INSULATED INTERNALLY AND SHIPPED ASSEMBLED

CONCENTRIC BOX IS CONSTRUCTED OF GALVANIZED STEEL AND IS INSULATED INTERNALLY

FLUSH MOUNT PAINTABLE DIFFUSER GRILLE WITH FIXED BLADES

CONCENTRIC BOX AND DIFFUSER GRILLE ARE SHIPPED ASSEMBLED

NOTES:

- 1 - INSTALL INSULATED ADAPTER PANS BEFORE A/C UNIT IS PLACED ON CURB
- 2 - FIELD BAFFLES MAY BE REQUIRED FOR BALANCING
- 3 - CONCENTRIC BOX MUST BE FIELD SUPPORTED

CAMBRIDGEPORT PART NUMBER	DUCT SIZE	APPLICABLE CURB MODEL NUMBERS	FLEX (SOLD SEPARATELY)	NOMINAL CFM	THROW IN FT	
					MIN	MAX
1025085	4 @ 20"	BAYCURB027	100090 (4-20")	7,000-8,000	28	50

DRAWN BY: JSL
 DATE: 3/1/2017

Cambridgeport

NORTH
 8 Fanaras Drive
 Salisbury Industrial Park
 Salisbury MA 01952

1-800-648-2872
 1-877-648-2872