

DATE: _____
 COMPANY: _____
 JOB NAME: _____
 SUBMITTED BY: _____
 NOTES: _____

ROOF CURB SUBMITTAL #1030425

YORK 447

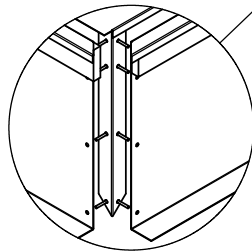
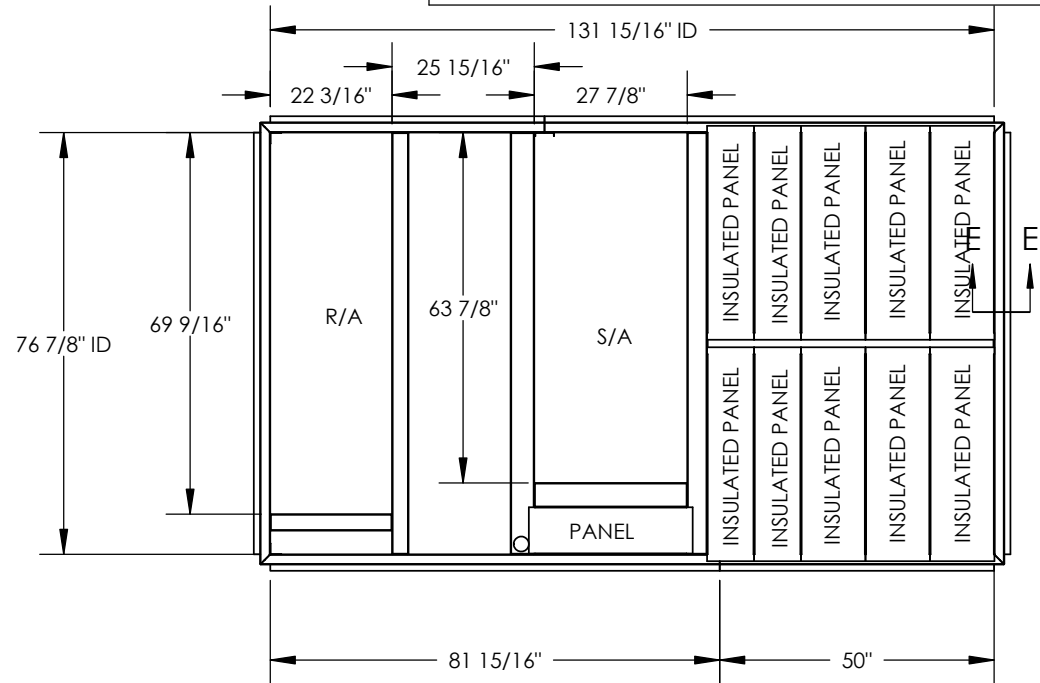
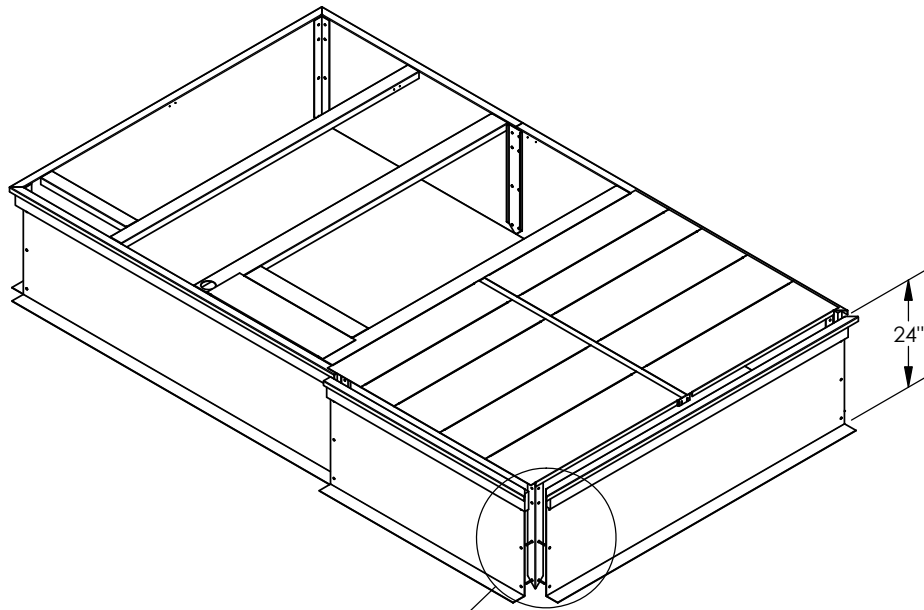
CURB ASSEMBLY NUMBER

1030425

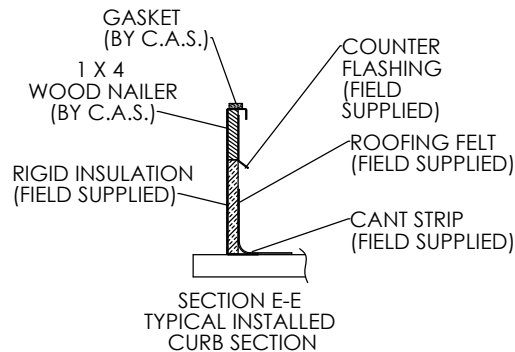
REV:

Drawn By: JSL
 Drawn Date: 7/6/2021

ESTIMATED WEIGHT: 360 LBS.



DETAIL A



FEATURES:

MITERED TOP CORNERS

ROOF CURB BODY IS FABRICATED OF HEAVY GAUGE GALVANIZED STEEL.

FULL PERIMETER WOOD NAILER.

PRE-PUNCHED ASSEMBLY HOLES AND HARDWARE INCLUDED FOR DUCT SUPPORT INSTALLATION,

ROOF CURB IS SHIPPED KNOCKED DOWN.

ROOF CURB IS LABELED WITH RTU# IF APPLICABLE

© 2007 COX ENGINEERING COMPANY
 DBA CAMBRIDGEPORT AIR SYSTEMS. ALL RIGHTS RESERVED. TM

Cambridgeport
 AIR SYSTEMS, INC.

GEORGETOWN, MA 01833

PHONE 1-800-648-2872 FAX 1978-462-9189